

FEATURES :

- 15W DIL PACKAGE
- 4:1 WIDE INPUT RANGE
- 100% BURNED IN
- HIGH EFFICIENCY
- UL94V-0 PACKAGE MATERIAL
- CUSTOM SOLUTIONS AVAILABLE
- RoHS COMPLIANT
- Remote Control:On/Off

YUAN DEAN SCIENTIFIC



DC-DC Converter

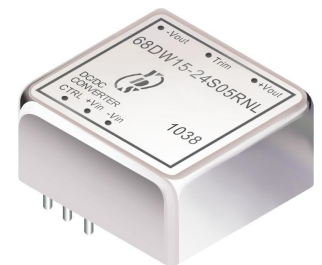
68DW15 SERIES

15Watt 1.5KV Isolated

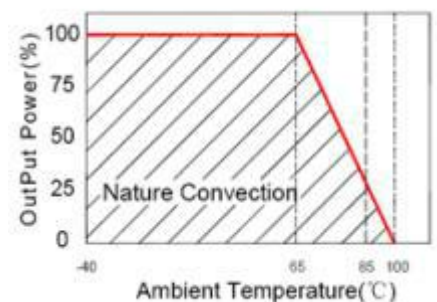
4: 1 Input Voltage Range

Single & Dual Output

1" x 1"



Temperature Derating Graph



Specifications typical at TA=25°C, nominal input voltage and rated output current unless otherwise specified

Part Number	Input Voltage	Input Current		Output Voltage	Output Current	Efficiency
	Vdc	No Load (mA TYP)	Full Load (mA TYP)	Vdc	Full Load (mA)	%TYP
68DW15-24S03RNL	9-36	50	639	3.3	4000	86
68DW15-24S05RNL	9-36	40	718	5	3000	87
68DW15-24S12RNL	9-36	20	710	12	1250	88
68DW15-24S15RNL	9-36	20	710	15	1000	88
68DW15-24D12RNL	9-36	20	710	±12	±625	88
68DW15-24D15RNL	9-36	20	710	±15	±500	88
68DW15-48S03RNL	18-75	30	319	3.3	4000	86
68DW15-48S05RNL	18-75	40	359	5	3000	87
68DW15-48S12RNL	18-75	10	355	12	1250	88
68DW15-48S15RNL	18-75	10	355	15	1000	88
68DW15-48D12RNL	18-75	10	355	±12	±625	88
68DW15-48D15RNL	18-75	10	355	±15	±500	88

Input Specifications

Parameters	Conditions	Min	Typ	Max	Units
Voltage Types				4:1	
Filter			PI Network		

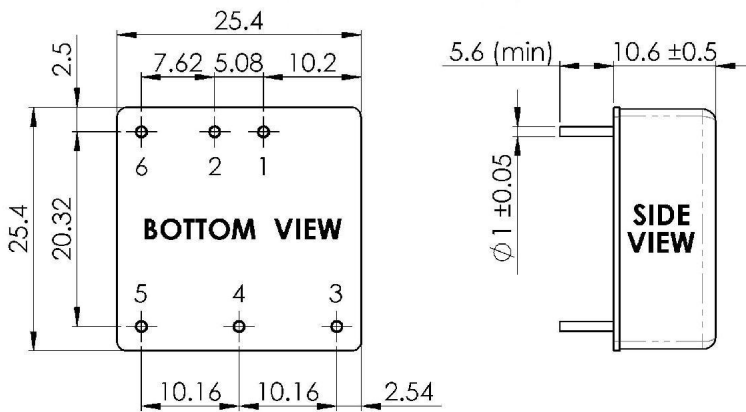
Output Specifications

Parameters	Conditions	Min	Typ	Max	Units
Voltage Tolerance	Full load@Vin(nom.)			±2	%
Short Circuit Protection	Hiccup, automatic Recovery				
Line Regulation				±0.5	%
Load Regulation	Single			±0.5	%
	Dual(Balance Load)			±1	%
Cross Regulation	Dual (25% To 100% Load)			±5	%
Ripple & Noise	Output:3-15V TYPES BW=DC To 20MHz			100	mVp-p
Ripple & Noise	Output > 15V TYPES BW=DC To 20MHz			1% of Vout	mVp-p
Transient response setting time	25% load step change		300		us

General Specifications

Parameters	Conditions	Min	Typ	Max	Units
Isolation Voltage			1500		Vdc
Isolation Resistance	500Vdc	1000			MΩ
Switching Frequency			400		KHz
Operating Temperature	With derating	-40		100	°C
Storage Temperature		-55		125	°C
Humidity	Non Condensing			95	%
Cooling	Free air Convection				
Case material	Nickel coated copper with no-conductive base				
MTBF	MIL-HDBK-217F@25°C	560000			Hours
Weight			16.5		g
Dimensions			25.4x25.4x10.6		mm

Markings and dimensions



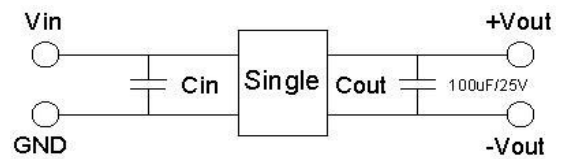
Unit : mm
Tolerance : XX.X ± 0.5 , XX.XX ± 0.25

Part Number

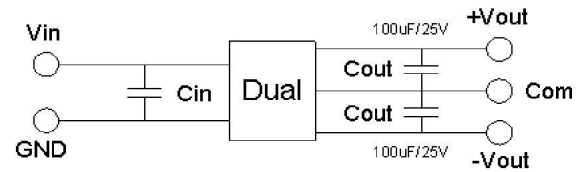
68DW15 - 24 S 05 R NL
A B C D E F

- A: Series
- B: Input Voltage
- C: Single Output (S),Dual (D)
- D: Output Voltage
- E: Regulated(R)
- F: RoHs Version

Recommended Test Circuit



24V&48V: Cin 10uF,100V



24V & 48V : Cin 10uF,100V

PIN Assignment

Pin	1	2	3	4	5	6
Single	+Vin	-Vin	+Vout	Trim	-Vout	Remote On/Off
Dual	+Vin	-Vin	+Vout	COM	-Vout	Remote On/Off

