



### FEATURES:

- Universal Input 90~264VAC
- High Efficiency Up To 88%
- Protection: Short Circuit /Overload/Over Voltage
- Fully Encapsulated Plastic Case
- Internal Input Filter
- 2 Years Warranty ● ROHS Compliant

GA030 - S 03  
A B C

A:Series  
B:Single(S) Dual(D)  
C:Output Voltage



Specifications typical at TA=25°C, nominal input voltage and rated output current unless otherwise specified

Part Number	Output Wattage	Output Voltage	Output Current	Ripple & Noise	Efficiency
	(W)	(VDC)	(mA)	(mV) max(Note)	(TYP %)
GA030-S03	26.4	3.3	8000	150	72
GA030-S05	40.0	5	8000	150	75
GA030-S06	40.0	6	6650	150	75
GA030-S07	40.0	7	5700	150	80
GA030-S08	40.0	8	5000	150	80
GA030-S09	40.0	9	4400	150	82
GA030-S10	40.0	10	4000	150	82
GA030-S12	42.0	12	3500	150	84
GA030-S13	42.0	13	3200	150	84
GA030-S14	42.0	14	3000	150	84
GA030-S15	42.0	15	2800	150	84
GA030-S16	42.0	16	2625	150	85
GA030-S18	42.0	18	2300	150	85
GA030-S24	42.0	24	1750	240	86
GA030-S27	42.0	27	1550	240	86
GA030-S36	43.2	36	1200	240	86
GA030-S48	48.0	48	1000	240	88
GA030-D05	40.0	±5	±4000	150	75
GA030-D12	42.0	±12	±1750	150	80
GA030-D15	42.0	±15	±1400	150	80
GA030-D24	42.0	±24	±875	240	80
GA030-D0305	26.5	Vo1=+3.3,Vo2=+5	Io1=5000,Io2=2000	150(Vo1) 240(Vo2)	72
GA030-D0512	40.0	Vo1=+5,Vo2=+12	Io1=5000,Io2=1250		75
GA030-D0515	40.0	Vo1=+5,Vo2=+15	Io1=5000,Io2=1000		75
GA030-D0524	40.0	Vo1=+5,Vo2=+24	Io1=5000,Io2=625		78

### Input Specifications

Parameters	Conditions		Min	Typ	Max	Units
Rated Input Voltage	Vo,Io nom			100~240		Vac
Voltage Range	Vo,Io nom	AC in	90		264	Vac
		DC in	120		370	Vdc
Line frequency	Vi nom,Io nom		47	50/60	63	Hz
Inrush Current	Io nom	Vi:115VAC			12	A
		Vi:230VAC			20	A
Input Fuse	VDE/UL/CCC FUSE 2.5A/250V (Slow blow)					

### Output Specifications

Parameters	Conditions		Min	Typ	Max	Units
Output Voltage Accuracy	Vi nom,Io nom (Single output)	3.3....9V Models			±3	%
		10....48V Models			±2	%
	Dual Output				±5	%
Minimum Load	Vi nom	Single Output Models	0			%
		Dual Output Models(each output)	20			%
Line Regulation	Io nom,Vi min...Vi max			±1		%
Load Regulation	Io min~ Io nom	Single Output Models		±2		%
		Dual Output Models		±5		%
Transient Recovery time	Vi nom,Io nom = ←→0.5 Io nom			1,000		µS
Protection	Overload		Above 110% rated output power			
	Short circuit		Protection type: Recovers automatically after fault condition is removed			
	Over Voltage(Main Output)		Recovers automatically after fault condition is removed			
			120%-150% rated output Voltage Protection type: Zener diode clamp			

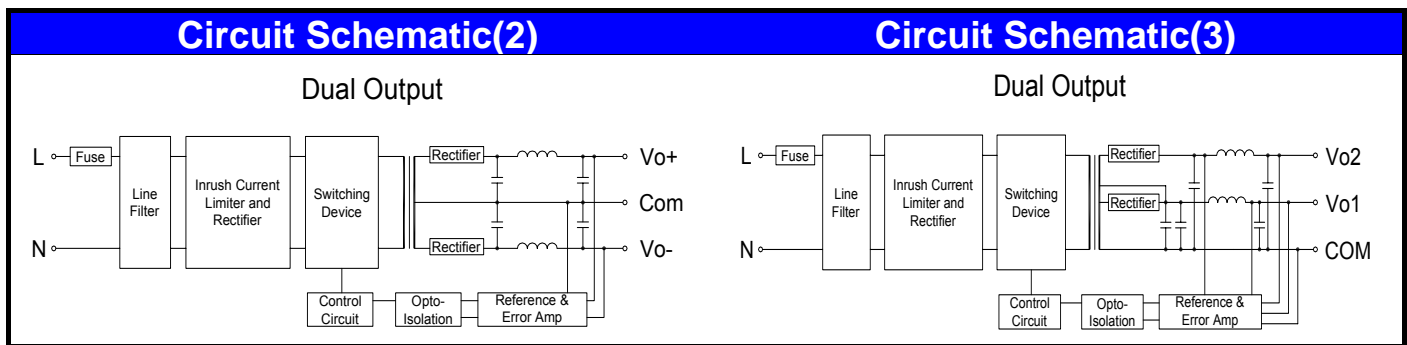
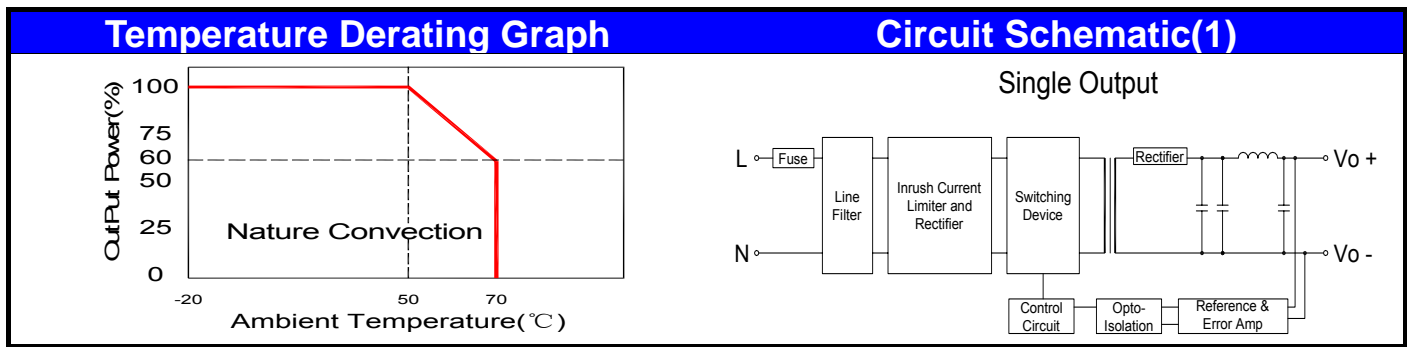
Note . Ripple & noise is measured by using 20 MHz bandwidth, measured with a 47µf paralleled with a high-frequency 0.47µf capacitor across each output by full load.

# Yuan Dean Scientific CO.,LTD

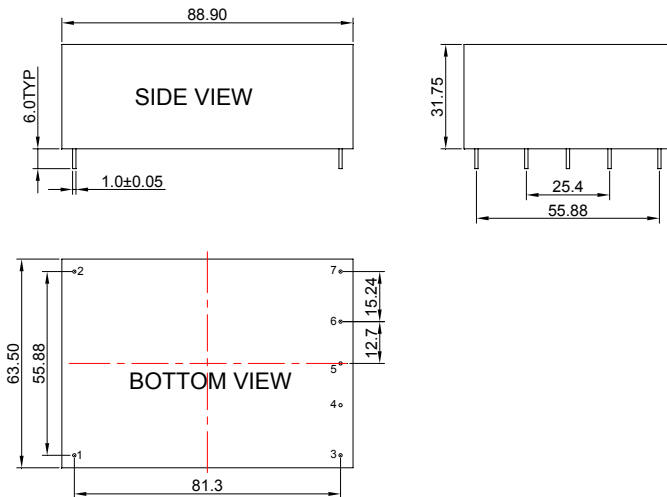
# GA030 SERIES

26-48Watt, Single & Dual Output ,AC/DC Power Module Converter

General Specifications					
Parameters	Conditions	Min	Typ	Max	Units
Switching Frequency	$V_i$ nom, $I_o$ nom		65		KHz
Isolation Voltage	Input / Output	3kVac/ 5mA/5Secs			
Isolation Resistance	Input / Output, @500 Vdc	100			MΩ
Operating Temperature	Operating at $V_i$ nom, $I_o$ nom	-20		+70	°C
Derating	$V_i$ nom, $I_o$ nom +51 to 71°C			2	%/°C
Storage Temperature	Non Operational	-40		+85	°C
Relative Humidity	$V_i$ nom, $I_o$ nom			95	% RH
Safety Standards	EN60950-1 approved				
EMI Conduction & Radiation	Compliance to EN55022				
EMS Immunity	Compliance to EN55024				
Dimension	L88.90x W63.50 x H31.75mm    L3.5x W2.5 x H1.25 inches				
Cooling	Free air convection				



## Markings and dimensions



PIN	Model		
	Single	Dual	Dual
1	ACN	ACN	ACN
2	ACL	ACL	ACL
3	+Vo	+Vo	+Vo2
4	NO PIN	NO PIN	+Vo1
5	-Vo	Com	Com
6	NO PIN	NO PIN	Com
7	NC	-Vo	NO PIN

Unit: mm Unless otherwise specified, all tolerances are ±0.50