



FEATURES

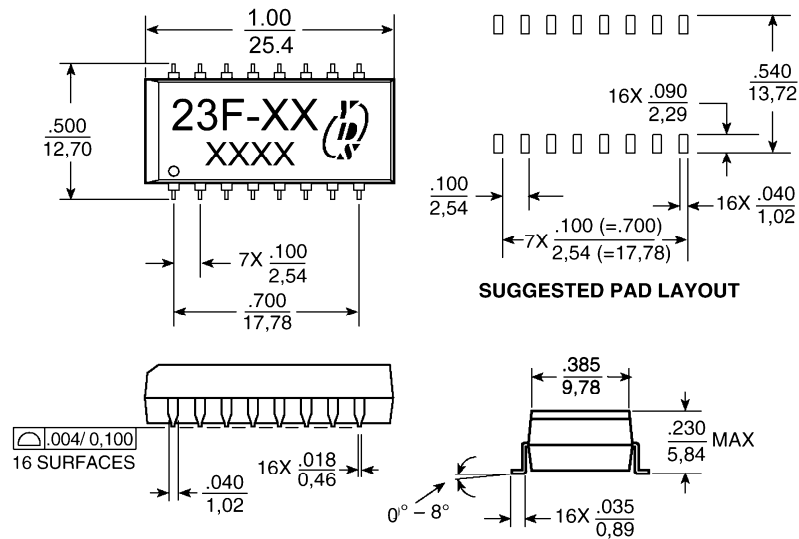
- Low profile surface mount package
- 235°C peak infrared reflow temperature rating.

Electrical Specifications @25°C -Operating Temperature 0°C to +70°C

PART NUMBER	Insertion Loss 1 to 10 MHz (dB MAX)	Attenuation (XMIT) (dB MIN)			Return Loss 5 to 10MHz (dB MIN)		Crosstalk (dB MIN)	Common Mode Rejection (dB MIN)					Hi-Pot (Vrms MIN)
		30MHz	40MHz	100MHz	100Ω	98±13Ω		5-10MHz	5MHz	10MHz	50MHz	100MHz	
23F-02	-1.0	-30	-35	-35	-18	-15	-35	-60	-60	-55	-50	-45	1500
23F-03	-6.0	-35	-35	-35	-18	-15	-35	-60	-60	-55	-50	-45	1500
23F-04	-6.5	-35	-35	-35	-18	-15	-35	-60	-60	-55	-50	-45	1500
23F-05	-1.0	-30	-27	-27	-18	-15	-30	-40	-30	-50	-45	-	1500
23F-06	-5.5	-30	-30	-35	-18	-15	-30	-35	-30	-55	-50	-	1500
23F-07	-6.0	-30	-27	-27	-18	-15	-25	-40	-35	-45	-30	-	1500
23F-08	-5.0	-30	-35	-40	-18	-15	-25	-35	-30	-55	-50	-	1500
23F-09	-5.0	-30	-35	-40	-18	-15	-25	-35	-30	-55	-50	-	1500
23F-10	-1.0	-30	-27	-27	-18	-15	-35	-40	-35	-45	-45	-	1500

Part Number	IC Manufacturer	R1	R2	R3	R4	R5	R6	R7
23F-02	Various	N/A	N/A	N/A	N/A	N/A	N/A	N/A
23F-03	AMD	TXD(+)=61.9	TXP(+)=422	TXD(-)=61.9	TXP(-)=422	1.2k	RX(+)=49.9	RX(-)=49.9
23F-04	National	TXOD(-)=274	TXO(+)=66.5	TXO(-)=66.5	TXOD(+)=274	806	RX(+)=49.9	RX(-)=49.9
23F-06	National	348.0	53.6	53.6	348.0	806	49.9	49.9
23F-07	AMD	61.9	422.0	61.9	422.0	1,210	49.9	49.9
23F-08	LSI	390.0	63.4	390	63.4	N/A	49.9	49.9
23F-09	Motorola	39.0	N/A	39	N/A	N/A	49.9	49.9

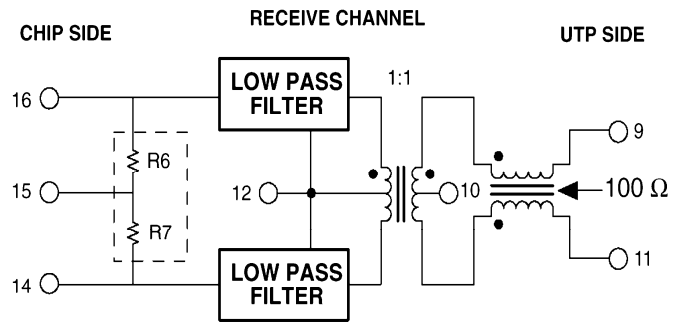
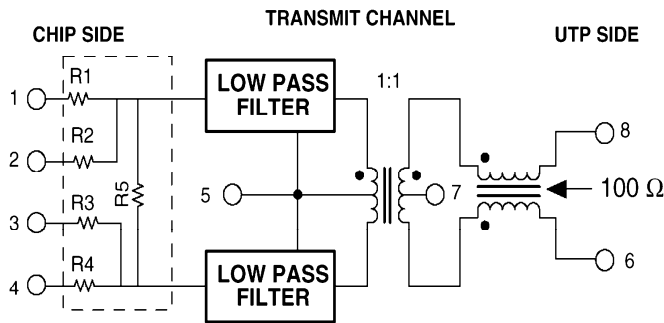
MARKINGS AND DIMENSION



Dimensions: inches/mm Unless otherwise specified, all tolerances are ±0.010/±0.25

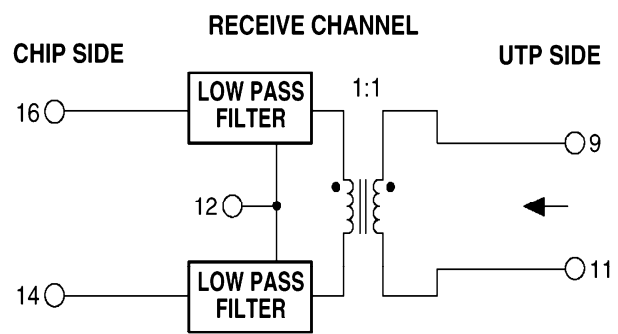
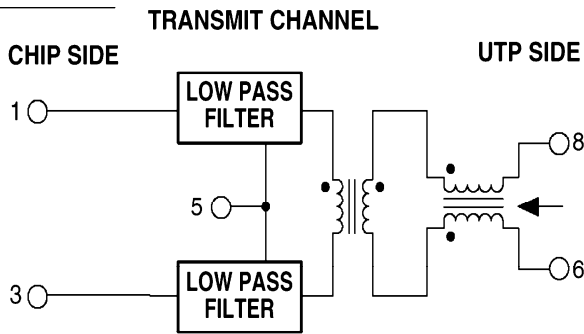
PIN CONNECTION

23F-02,23F-03,23F-04



The 23F-02 does not contain resistors. They are an external configuration.

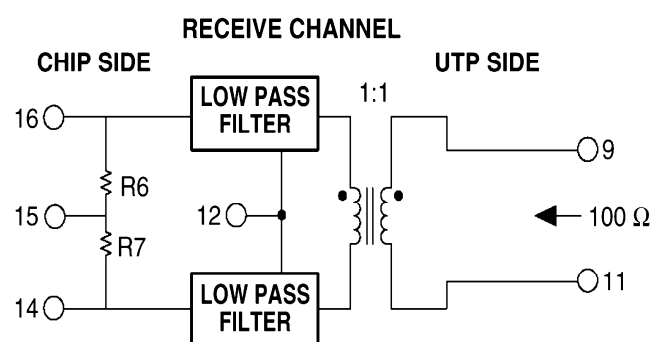
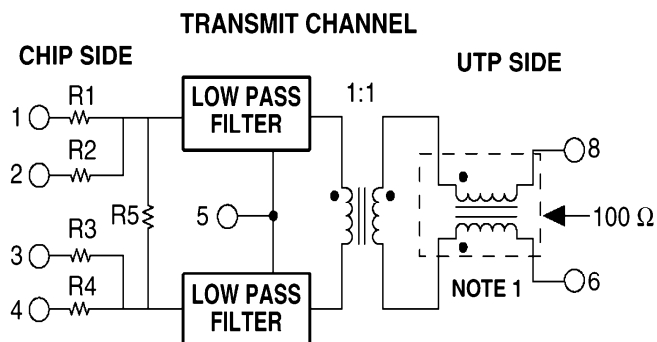
23F-10,23F-05



Turns Ratio for Transmit: 23F-05 is 1:1; 23F-10 is $1:\sqrt{2}$.

NOTE: The 23F-05 is designed for use with most transceivers requiring a turns ratio of 1:1 on transmit. The 23F-10 is designed for use with DEC and most other transceivers requiring a turns ratio of $1:\sqrt{2}$ on transmit.

23F-06,23F-07,23F-08,23F-09



Note: Common Mode Choke on transmit channel for 23F-06,23F-07,23F-08