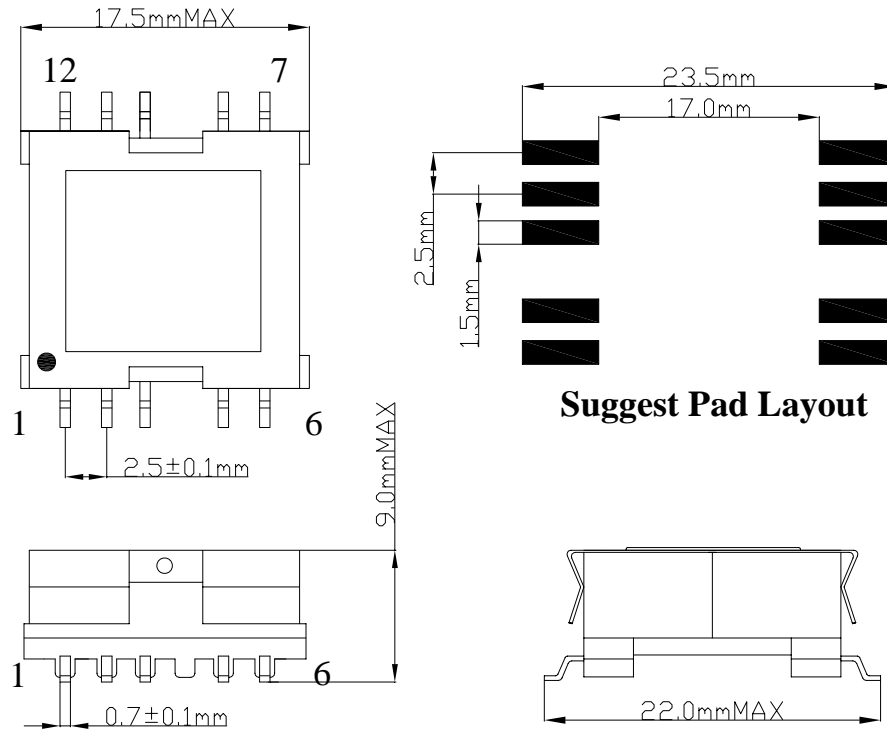


Mechanicals Dimensions



REV.	DESCRIPTION	DATE	DWN	AP'PD
1.0	09.5.18	Edit	LYP	WANG
2.0	10.10.12	Add pcb layout	LYP	WANG

ELECTRICAL SPECIFICATIONS@25°C:

TurnRatio: (1,2-12,11):(6,5-7,8):(3-10)
=1:0.35:0.35±3%

L(200KHz/0.3V) : (1,2-12,11) 35.0uH±10%

L(200KHz/0.3V)@2.0A : (1,2-12,11) 31.5uH MIN

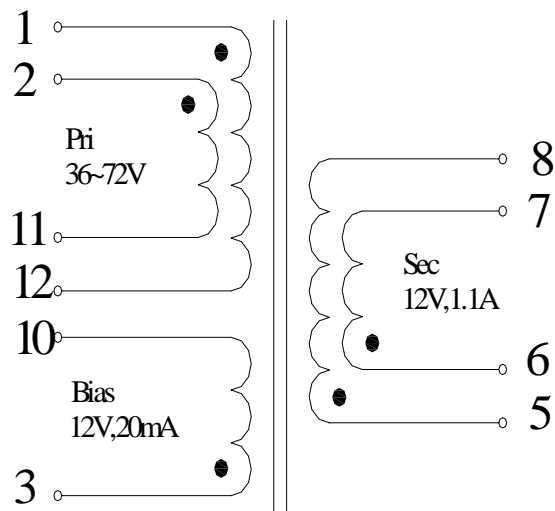
LK(200KHz/0.1V):(1,2-12,11,shorted5,6,7,8)0.6uH MAX

DCR:(1,2-12,11) 0.095 Ω MAX (6,5-7,8) 0.017 Ω MAX
(3-10) 0.15 Ω MAX

HI-POT: Pri and Bias To Sec AC1500V/1mA MAX/2S

OPERATING TEMPERATURE:-40°C to +125°C

Schematics



 元册科技股份有限公司 YUAN DEAN SCIENTIFIC CO., LTD.			
TITLE	TRANSFORMER		
P/N	15SEFD-3501GNL	REV.	2
PAGE NO	1-1	DATE	2010/10/12
AP'PD	WANG YN	DWN	LYP