

### FEATURES:

- Input 12Vdc
- Efficiency at 88% TYP
- Protection: Short Circuit/ Over current /Under Voltage LockOut/Reverse protection
- IP67 design for indoor or outdoor installations
- Application: Suitable for LED lighting and moving sign applications
- 2 Years Warranty ● ROHS Compliant

L D A 12 - E 0.35 - 01  
A B C D E F G

A: Series  
B: DC INPUT  
C: Package  
D: Input Voltage  
E: Eight(E)  
F: Output Current  
G: Types

Specifications typical at TA=25°C, nominal input voltage and rated output current unless otherwise specified

Part Number	Output Wattage	Output Voltage	Constant Current Region	Output Current	Efficiency
	(W)	(V)	(V)	(mA)	%(TYP)
LDA12-E0.35-01	14.7	Vo1=+42.0	36-42	350±20	88
	14.7	Vo2=+42.0	36-42	350±20	
	14.7	Vo3=+42.0	36-42	350±20	
	14.7	Vo4=+42.0	36-42	350±20	
	14.7	Vo5=+42.0	36-42	350±20	
	14.7	Vo6=+42.0	36-42	350±30	
	14.7	Vo7=+42.0	36-42	350±30	
	14.7	Vo8=+42.0	36-42	350±30	

### Input Specifications

Parameters	Conditions	Min	Typ	Max	Units
Rated input voltage	Vo,lo nom		12		Vdc
Voltage Range	Vo,lo nom	11		15	Vdc

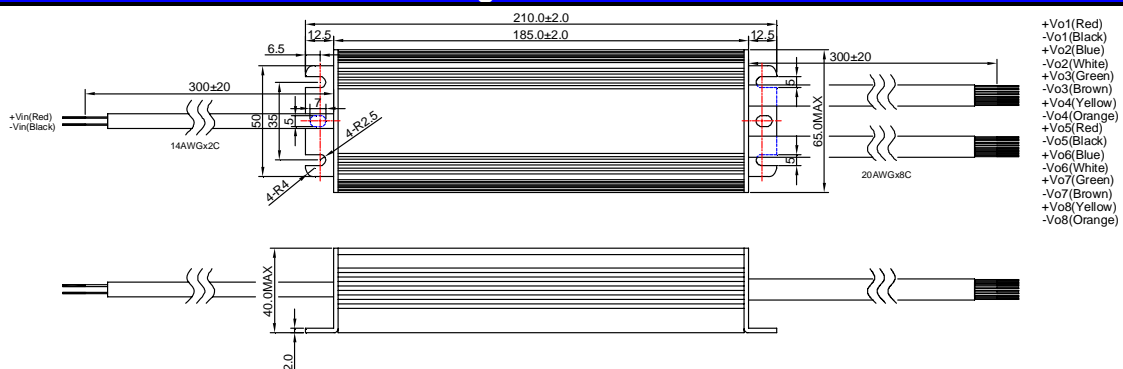
### Output Specifications

Parameters	Conditions	Min	Typ	Max	Units
Protection	Over Current	106% rated output power(Constant current limiting)			
	Short circuit	Protection type: Recovers automatically after fault condition is removed			
	Under Voltage LockOut	Recovers automatically after fault condition is removed			
	Reverse protection	Vin<11Vdc Protection type: Recovers automatically after fault condition is removed			

### General Specifications

Parameters	Conditions	Min	Typ	Max	Units
MTBF	MIL-HDBK-217F(25°C)	300,000			Hrs
Operating Temperature	Operating at Vi nom,lo nom	-30		+60	°C
Storage Temperature		-45		+85	°C
EMI Conduction&Radiation	Design refer to EN55015, EN55022 (CISPR22) Class B				
Harmonic Current	Design refer to EN61000-3-2 Class C; EN61000-3-3				
EMS Immunity	Design refer to EN61000-4-2,3,4,5,6,8,11; EN61547, EN55024, light industry level (surge 4KV), criteria A				
Safety Standards	Design refer to EN60950-1, EN61347-1, EN61347-2-13,IP67				
Size	L210x W65.0 x H40.0mm				

### Markings and dimensions



UNIT: mm Unless otherwise specified, all tolerances are ±0.5

DESCRIPTION:

Rev. 1.0

AP'PD:Zhang XueGong

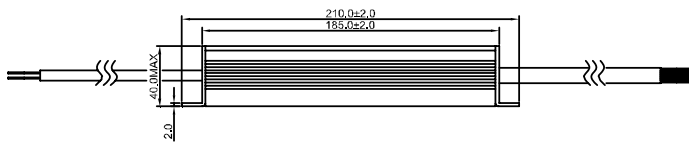
DWN: Chen JiaPei

Page 1 of 2

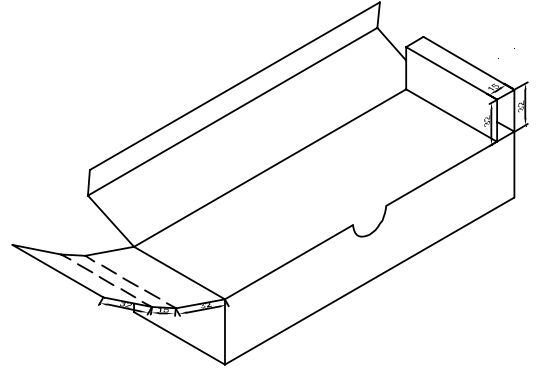
2011-7-25

## 118Watt, Eight Output Switching Power Supply

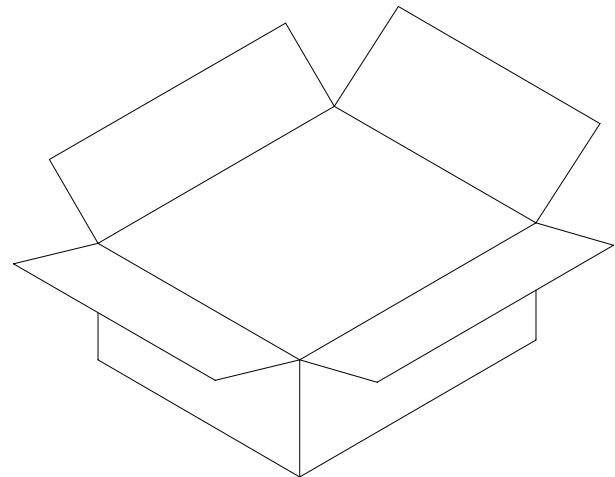
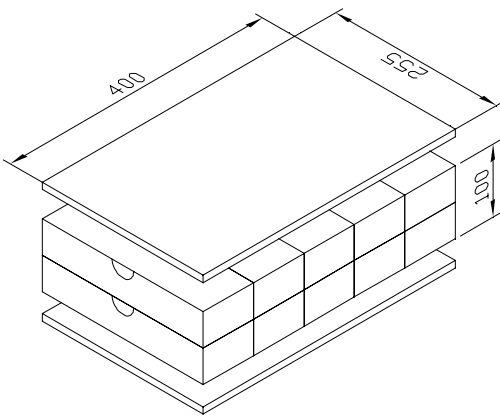
1. Weight: 1Kgrams/pcs
2. outer carton unit : 10pcs/box
3. Weight: 11.0kg per carton



Mechanicals



Box Size (255x80x50)



Outer carton: 430x290x160mm

UNIT:mm