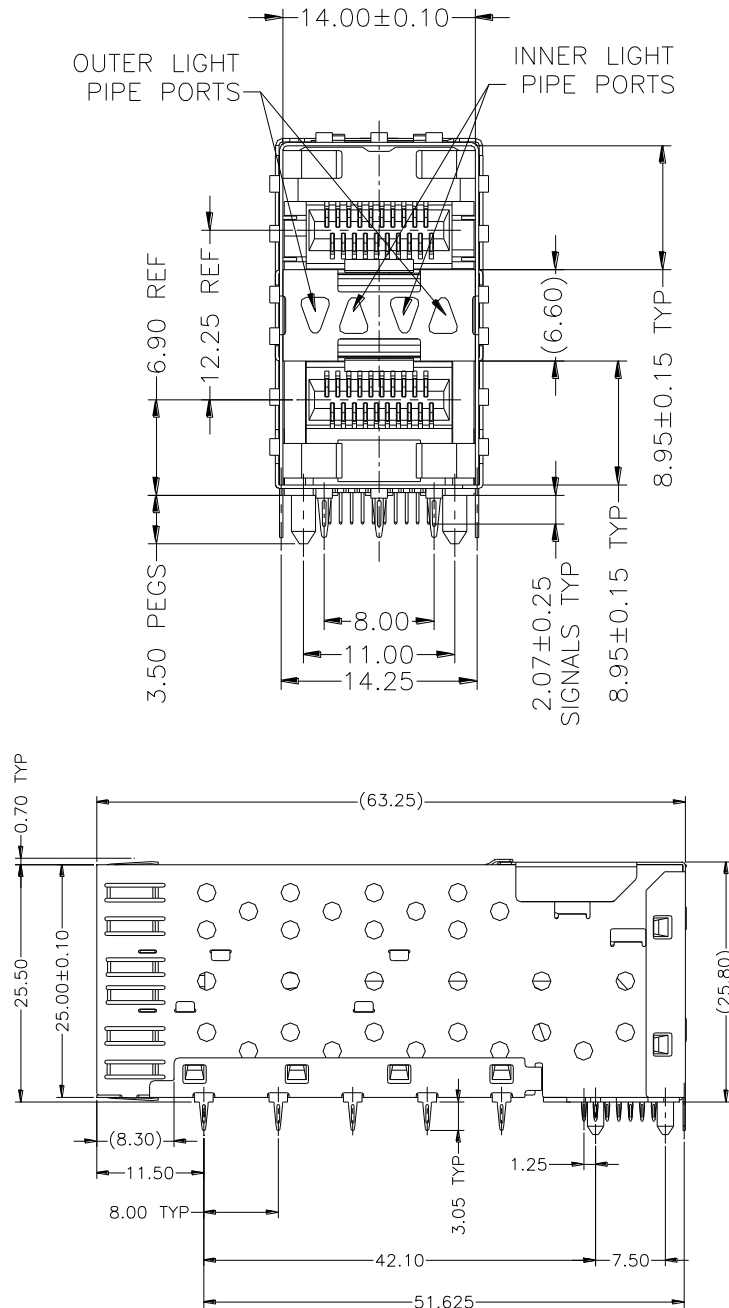


Mechanical Dimensions

REV.	DESCRIPTION	DATE	DWN	AP'PD



NOTES:

MECHANICAL:

- MAIN CAGES: COPPER ALLOY, THICKNESS 0.25MM.
- OTHER CAGES: STAINLESS STEEL, THICKNESS 0.25MM.
- CONNECTOR HOUSING: GLASS FILLED PLASTIC, 94 V-0, COLOR: BLACK.
- OVERMOLDED TERMINAL HOUSING: GLASS FILLED PLASTIC, 94 V-0, COLOR: BLACK.
- LIGHTPIPES: POLYCARBONITE, 94 V-0, COLOR: CLEAR.
- LIGHTPIPE HOLDER: GLASS FILLED PLASTIC, 94 V-0, COLOR: BLACK.
- TERMINAL: POSPHRR BRONZE.
- GOLD PLATING FOR CONTACT AREA, THICKNESS SEE OPTION.
- TIN PLATING FOR PRESS FIT AREA.
- NICKEL PLATING AS UNDERLAYER FOR WHOLE TERMINAL.

ELECTRICAL:

- VOLTAGE: 120 VOLTS AC.
- CURRENT: SIGNAL APPLICATION ONLY.
- DIFFERENTIAL IMPEDANCE: 100 OHMS.

TEMPERATURE:

- OPERATION: -40°C~+85°C
- STORAGE: -40°C~+85°C

LIGHTPIPE PAD LAYOUT IS FOR LOW-PROFILE LED PACKAGE. LED SIZE(LxWxH): 2x1x0.4MM MAX.
RoHS COMPLIANCE.

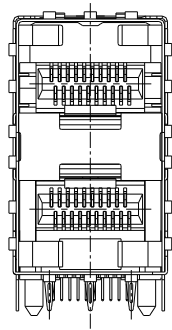
YDS-SFC21LFTG	WITHOUT LIGHTPIPES	15u"
YDS-SFC21L1FTG	INNER 2 PORTS	15u"
YDS-SFC21L2FTG	OUTER 2 PORTS	15u"
YDS-SFC21L3FTG	4 PORT LIGHTPIPES	15u"
PART NUMBER	LIGHT PIPES	GOLD PLATING

MILLIMETRE

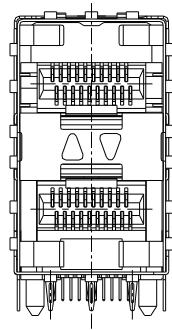
X.XXX ±0.10
X.XX ±0.20
X.X ±0.30
X

	元册科技股份有限公司 YUAN DEAN SCIENTIFIC CO., LTD.			
	TITLE 2X1 SFP CAGE AND CONNECTOR W/LIGHT PIPE OPTION			
	P/N	YDS-SFC21LxFTG	REV.	1.0
	PAGE NO	1-4	DATE	2015-3-31
	AP'PD	Hsu	DWN	Chen Chuan Yu

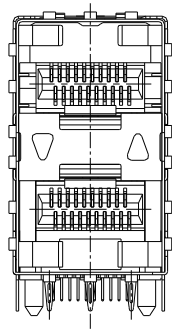
REV.	DESCRIPTION	DATE	DWN	AP'PD



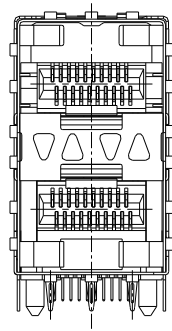
YDS-SFC21LFTG
WITHOUT LIGHTPIPES



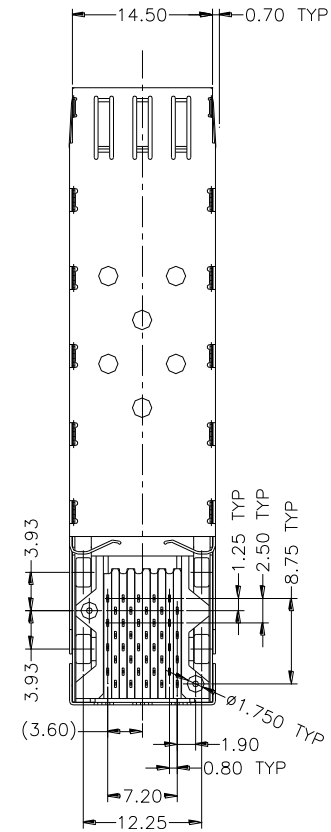
YDS-SFC21L1FTG
WITH INNER LIGHTPIPES



YDS-SFC21L2FTG
WITH OUTER LIGHTPIPES



YDS-SFC21L3FTG
WITH INNER/OUTER
LIGHTPIPES



元册科技股份有限公司

YUAN DEAN SCIENTIFIC CO., LTD.

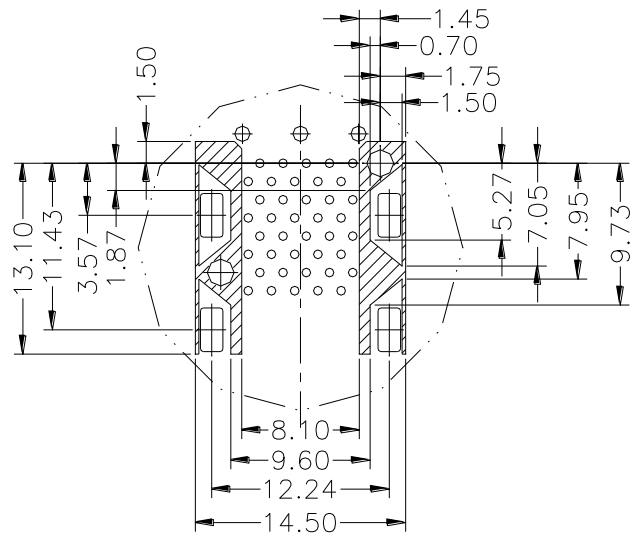
TITLE 2X1 SFP CAGE AND CONNECTOR
W/LIGHT PIPE OPTION

P/N	YDS-SFC21LxFTG	REV.	1.0
------------	-----------------------	-------------	------------

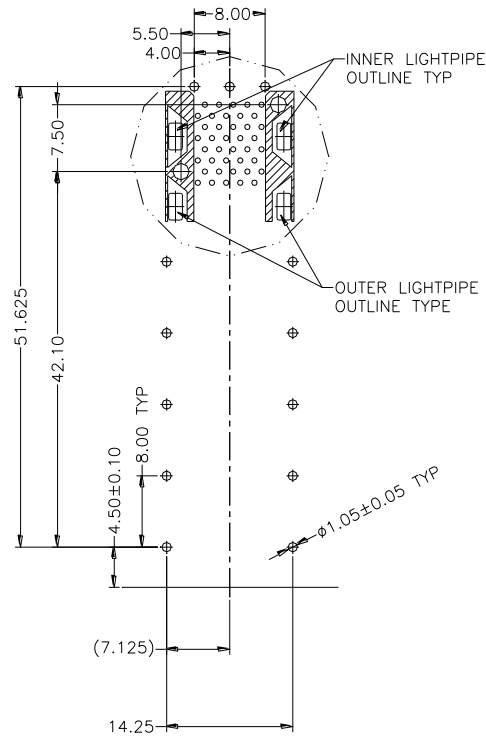
PAGE NO	2-4	DATE	2015-3-31
----------------	------------	-------------	------------------

AP'PD	Hsu	DWN	Chen Chuan Yu
--------------	------------	------------	---------------

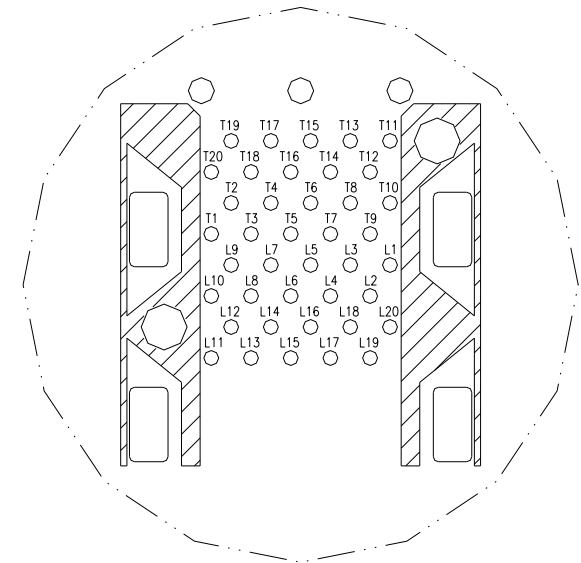
REV.	DESCRIPTION	DATE	DWN	AP'PD



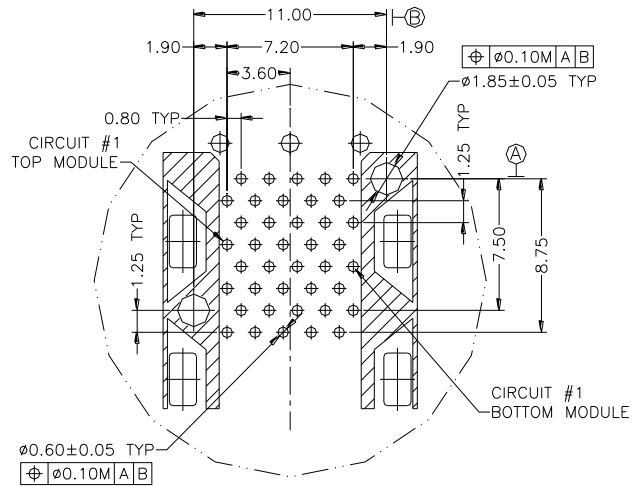
KEEP OUT ZONE DETAIL



RECOMMENDED PCB LAYOUT-COMPONENT SIDE
PCB THICKNESS 1.6MM MIN
TOI FRANCF: +0.05 MM



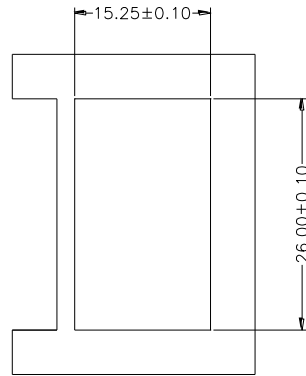
CONNECTOR PIN-OUT DETAIL
COMPONENT SIDE OF BOARD
SCALE: 2:1



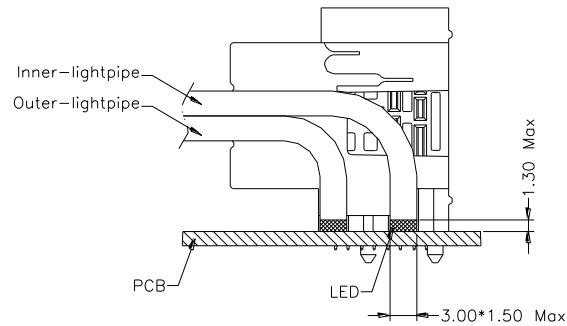
SCALE: 2:1

	 元册科技股份有限公司 YUAN DEAN SCIENTIFIC CO., LTD.			
	TITLE 2X1 SFP CAGE AND CONNECTOR W/LIGHT PIPE OPTION			
	P/N	YDS-SFC21LxFTG	REV.	1.0
	PAGE NO	3-4	DATE	2015-3-31
	AP'PD	Hsu	DWN	Chen Chuan Yu

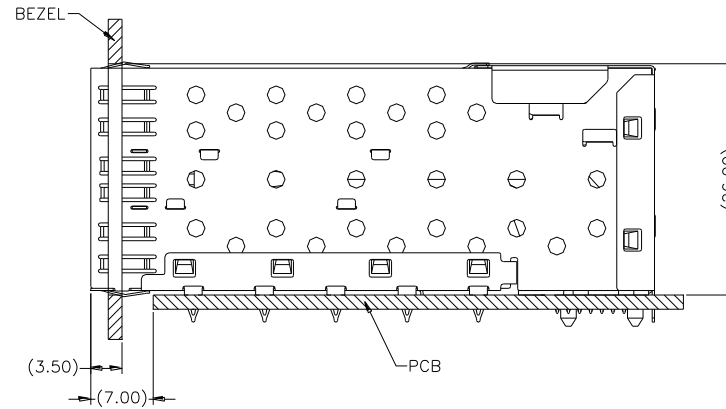
REV.	DESCRIPTION	DATE	DWN	AP'PD



RECOMMENDED BEZEL CUT-OUT CENTER DETAIL
BEZEL THICKNESS 0.8~2.6MM



RECOMMENDED LED DIMENSION



	元册科技股份有限公司 YUAN DEAN SCIENTIFIC CO., LTD.			
	TITLE 2X1 SFP CAGE AND CONNECTOR W/LIGHT PIPE OPTION			
	P/N	YDS-SFC21LxFTG	REV.	1.0
	PAGE NO	4-4	DATE	2015-3-31
	AP'PD	Hsu	DWN	Chen Chuan Yu